



Geberit New Products 2009

■ GEBERIT



NEW



Geberit expertise – more than just the sum of parts

Since the formation of the company in 1874, the name Geberit has stood for quality, easy installation and technical know-how. Our goal is to offer our customers continuous improvement of products that are already first class. In this way, Geberit systems are becoming ever more reliable, their installation ever easier, their performance ever more efficient and the use of resources ever more environmentally responsible.

The results of our commitment can be seen on the following pages: new products, product optimisation and extension of our product range. Every year, the Geberit New Products brochure demonstrates why Geberit is a leader in sanitary technology.

Table of contents

Geberit AquaClean: The WC that cleans you with water	4
The new Delta Line: An extension of the range of actuator plates	7
Geberit urinal range: Major innovations for everyday requirements	9
Uniflex shower channel: The perfect finishing touch	11
Geberit Mapress: Quality that is instantly recognisable	13
Uniflex outlet for floor even showers: Comfort and barrier-free	14
Geberit Rohrschott90 Plus: The talented fire protection sleeve	15





The Geberit AquaClean product line



Geberit AquaClean 4000



Geberit AquaClean 5000



Geberit AquaClean 5000*plus*



Geberit AquaClean 8000



Geberit AquaClean 8000*plus*

Geberit AquaClean: The WC that cleans you with water

Water is the basis of life. Its characteristics are unique. Water is also essential for personal hygiene. When taking a shower, washing our hands – washing with water creates a unique feeling of cleanliness and freshness. So why should we do without the advantages of washing with water when using the toilet?

For improved quality of life: Innovations from Geberit

This is precisely the principle of Geberit AquaClean: A jet of warm water washes clean and touch-free. This is the new form of personal hygiene, natural, gentle and pleasant. All Geberit AquaClean models –

from the simple to the luxurious – now convince through numerous new features which transform every bathroom into a wellness oasis.

Adapted to living situation and individual requirements, the Geberit AquaClean range, extending from the mobile enhancement solution in various versions through to the complete designer solution, offers the ideal model for everybody.

Simply practical: The new enhancement solutions

Elegant design with optimised ergonomics for sitting comfort and easy operation make Geberit AquaClean enhancement solutions particularly user-friendly. Thanks to easy installation, they are also exceptionally well suited for rented apartments. The practical basic model, AquaClean 4000, fits discreetly into every bathroom and shines with all basic functions. The compact version, AquaClean 5000, combines the latest technology with additional comfort features.

The oscillating shower spray as well as the individually adjustable shower intensity offer incomparable cleansing quality and raise the sensation of well-being. AquaClean 5000*plus* is the all-rounder amongst enhancement solutions – all functions can be adjusted individually by remote control thus ensuring maximum comfort.

Pure luxury: The new complete solutions

The complete solutions also have many new characteristics. Attractively shaped design makes AquaClean 8000 the

focal point of every bathroom. The easy handling makes operation simple. The luxury model AquaClean 8000*plus* sets new standards – with optimised technology, handy remote control, timeless design and refined shower functions, this superior-class toilet meets the most exacting demands at every level.

Good reasons in favour of Geberit AquaClean:

- For cleanliness and well-being
- As an enhancement solution or complete solution
- Convenient extra features



The new Delta Line: An extension of the range of actuator plates

**Stylish:
New models for convincing solutions**

The range of new Delta actuator plates was developed especially for use in modern bathroom worlds. The smaller dimensions of the plates are fully in line with the latest trends and enable them to fit seamlessly into harmonious bathroom designs.

**Design:
Wide range of variants**

The Delta actuator plates are available in both the flush-stop as well as the dual flush version – each in three attractive colours. The design selection now includes not only round, but also square buttons to fit into various bathroom environments.

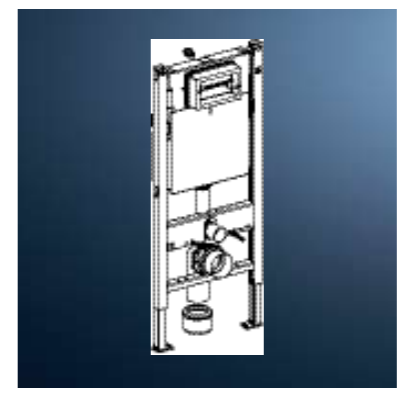
The new line is distinguished not only by modern design but also represents an extension of the existing range in the accustomed high quality.

The Delta range thus creates added value for the user compared with previous models.

**Convenient:
Easy to maintain**

New cisterns have also been developed to match the Delta Line; these are adapted to the smaller dimensions of the actuator plates. The service openings are designed such that easy access for maintenance is ensured at all times.

- Good reasons in favour of the new Delta Line:**
- 12 different designs
 - Smaller dimensions of the plates (24,6 cm x 16,4 cm)
 - Maintenance ensured





Geberit urinal range: Major innovations for everyday requirements

Minimum water consumption and optimum hygiene are in the foreground of the innovative range of urinals from Geberit. On top of this are modern design, capacity for universal use and easy installation in all application situations.

Ultimate finesse: The new Geberit cover and actuator plates for urinals

These accessories are coordinated with the existing range of toilet actuator plates and thus round off the existing design series Sigma10, Sigma20, Sigma50, Samba, Mambo, Bolero and Tango. The extended choice of different styles and materials lets you design your sanitary rooms even more aesthetically and individually.

Fully automatic: The new infrared controls

Urinal systems are subjected to particularly intensive demands. Hygiene is one of the most important aspects in this respect. It is for this reason that touchless flushing mechanisms are ideal for heavily frequented sanitary installations. The new automatic Geberit urinal flush control is equipped with a reliable infrared sensor. Even in

tight spaces, the sensor clearly detects the users and triggers the flush at the right moment. The hidden urinal flush control installed behind the urinal ceramic requires no actuator or cover plate. With this installation variant, the flush is triggered by a sensor in the trap – a perfect solution for the highest design requirements or for areas with a high risk of vandalism.

Quality and reliability: The new urinal valve

Thanks to the improved two-stage filter concept, the new urinal valves are particularly resistant to grime. This leads to high functional reliability and long maintenance intervals. The additional HyTronic Service Handy enables individual settings for various flushing programs: To save water and to provide users with maximum hygiene.

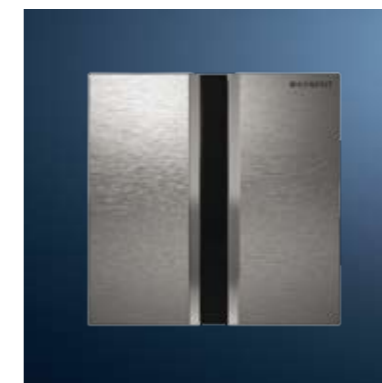
Save time and costs: The new installation elements for urinals

Installation is now even easier and quicker. This considerably reduces the time and cost of installation. Thanks to the new, bent water connection nipple, connection of the urinal flush control to the

water supply mains is extremely easy and safe. The optimised flushing hose arrangement prevents water stagnation and thus preserves the sanitation of drinking water. Geberit urinal installation elements can be used in all situations and are available for all Geberit installation systems.

Good reasons in favour of the Geberit urinal range:

- Coordinated design
- Improved hygiene for public areas
- Resistant to contamination in water pipes



Uniflex shower channel: The perfect finishing touch

Adjustable: Various lengths

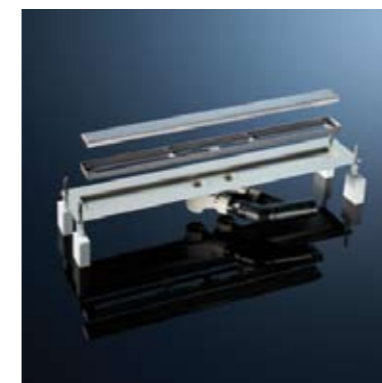
The channel is fixed to the floor with adjustable feet – no tools required – so that the channel can be installed efficiently and insulation layers laid tidily. The height, inclination and offset of the frame can be adjusted to suit the thickness and size of tiles, the incline and the tile grid. The Uniflex shower channel is available in the lengths 700, 800, 900 and 1000 mm. The minimum construction height is 100 mm.

Adaptable: Matches every bathroom

The two Uniflex shower channel designs based on the popular materials stainless steel and enamel, provide a stylish finish to modern bathrooms. In addition, the shower channel can also be installed with other materials such as wood, Corian®, or the tiles already used in the bathroom.

Good reasons in favour of Uniflex shower channel:

- High flexibility and error tolerance
- Complete acoustic and tension decoupling
- Exclusive design lines



Geberit Mapress: Quality that is instantly recognisable

By continuing to develop Mapress pipe connections, Geberit is demonstrating that even things that have proven themselves millions of times every day in energy and building engineering can be improved. Thanks to the innovative, coloured pressing indicators, connections that have not been pressfitted are recognisable at a glance – and costly leakage as a result of forgotten pressing operations is a thing of the past.

**Know-how from Geberit:
Well thought out right down
to the last detail**

Geberit Mapress is a perfectly coordinated range of system pipes, fittings and tools. Thanks to the new pressing indicators, it is now possible to see immediately on every metallic pressfitting whether the pressing operation has already been carried out or not. This makes installations simpler, more economical and, above all, safer.

The innovative pressing indicators surround the pressing contours of the fittings and identify the different product materials and special applications using various colours. The dimensions can also be read directly on the fitting, thus further facilitating the application.

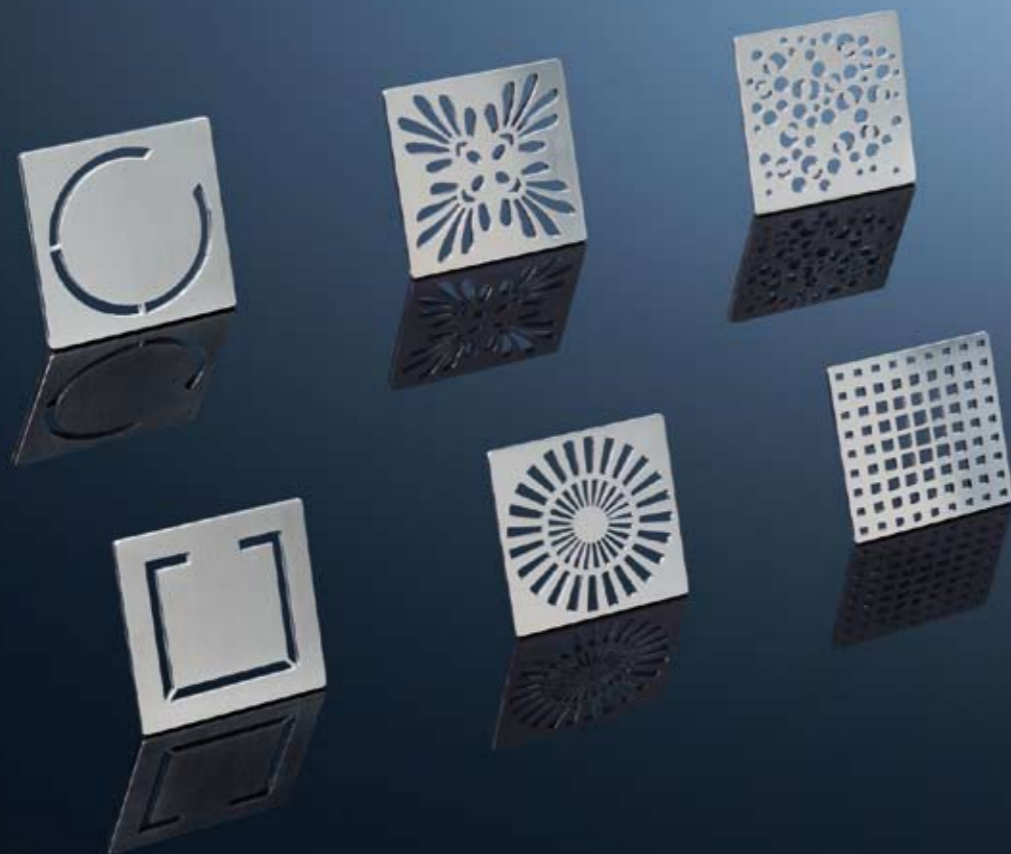
**Permanently secure:
The new fittings**

In order to protect the seal ring against dirt and dust during storage and processing, the pressing sockets and system pipes of the fittings are sealed with protection plugs. The special contour of the seal ring ensures that non-press-joined fittings leak during the pressure test, thus preventing later damage during operation.

**Good reasons in favour
of Geberit Mapress:**

- Clearly visible pressing indicator
- Protection plugs on all pressing sockets and pipes
- Contour seal ring for additional safety





Uniflex outlet for floor even showers: Comfort and barrier-free

Ultimate finesse: Something for every taste

The Uniflex outlet for floor even showers enables the realisation of floor even shower areas. Thanks to the fastening option on the floor as well as high flexibility and error tolerance, it offers maximum installation comfort and safety for the plumber. Sealing flange and sealing collar enable quick and reliable sealing of the floor to the building structure. The new trap, shaped for optimised flow, enables a standard drainage capacity even at the lowest installation height with simultaneous self-cleaning effect.

Six design sets are available for the Uniflex outlet for floor even showers which have consciously been shaped on the basis of various bathroom designs and thus offer the corresponding solution for all types of bathroom.

Good reasons in favour of Uniflex outlets:

- Flexibility and error tolerance
- Easy installation, reliable sealing
- Six design sets



Geberit Rohrschott90 Plus: The talented fire protection sleeve

Reliable fire protection is now available for all Geberit drainage systems: The Rohrschott90 Plus fire protection sleeve can be used with Geberit PE and Geberit Silent-db20.

Safety included: Effective fire protection

In the event of a fire in a building, the fire protection sleeve prevents the spread of the fire via the drainage pipes. The heat of the fire causes the material in the fire protection sleeve to expand and the pipe is compressed. As a result, the fire cannot spread to other rooms and floors of the building.

Naturally, the installation of Rohrschott90 Plus is guaranteed to be quick and particularly economical.

Always fitting: Versatile offerings

The newly extended area of use of the Rohrschott90 Plus fire protection sleeve enables installation in many application situations. Whether inclined ceiling feed-throughs or fully and semi-built-in compartmentalisation in walls and ceilings – Rohrschott90 Plus is an all-rounder for effective fire protection.

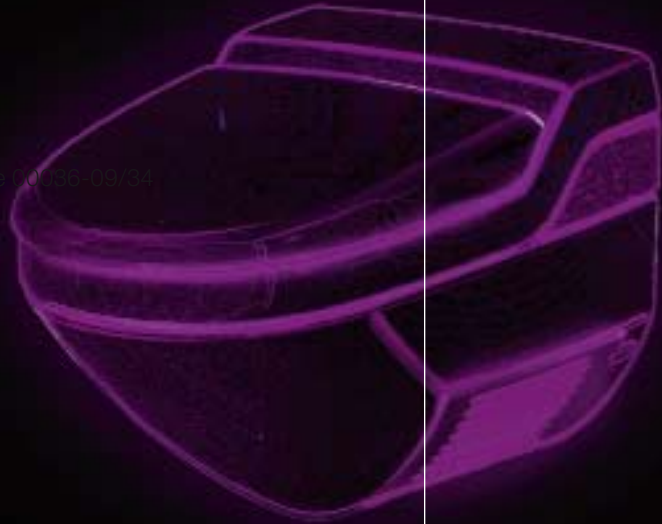
Good reasons in favour of Geberit Rohrschott90 Plus:

- Reliable fire protection
- Extended areas of use
- Quick and reliable installation

GEBERIT



int.e.00036-09/34



Geberit International Sales AG
CH - 8640 Rapperswil
Switzerland

sales@geberit.com
www.international.geberit.com